



TS250 SERIES INSTRUMENTS

INDUSTRIAL INSTRUMENT WITH ADVANCED FUNCTIONS



Versatile industrial desktop instruments for floor scale and chemical tank scale applications. Available in a NEMA 4X stainless steel or ABS enclosure.

THURMANSCALE.COM



CC# 15-099

MC# AM-6002



TS250 SERIES

INDUSTRIAL INSTRUMENT

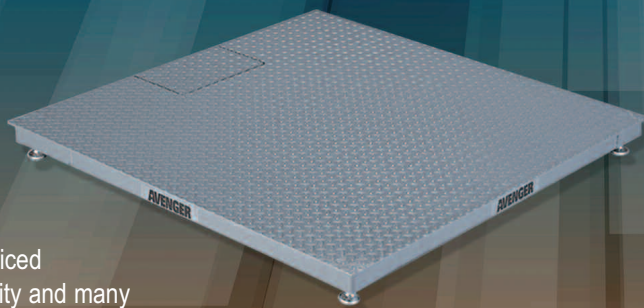
Bright green,

The TS250 stainless steel enclosure meets general food and other industrial washdown requirements. It can be used with Thurman's stainless steel Avenger® floor scale (shown below) in applications that require NEMA 4X rated weighing equipment.

For floor scale applications in dry environments, the TS250 ABS composite enclosure and mild steel Avenger® are recommended.



Thurman Scale's TS250 Series is an economically priced weight instrument with basic to advanced functionality and many customizable features. It is the perfect companion to Thurman's Avenger® floor scale and is highly reliable instrumentation for tank, vessel and hopper applications.



TS250 ABS Enclosure

Enclosure Types

- **304 Stainless Steel** with NEMA 4X rating.
- **ABS Plastic** is heat, impact and chemical resistant.

Instrument Accessories

BATTERY POWER Five (5) "D" cell battery pack available for 304 Stainless NEMA 4X and ABS models.

Bluetooth Enables wireless communications between the TS250 and other serial devices, such as printers and PCs.

4-20 mA MODULE The 4-20 mA Module provides an analog input for PLCs, data loggers or other controllers.

FIELDBUS INTERFACES Fairbanks offers popular fieldbus interfaces, such as DeviceNet, Profibus, ControlNet, Modbus TCP, Ethernet/IP and Ethernet TCP to connect the TS250 Instrument to PLCs or PCs.

The Bluetooth® word mark and logos are owned by the Bluetooth® SIG, Inc. and any use of such marks by Thurman Scale is under license. Other trademarks and trade names are those of their respective owners.

External DB9 output on ABS model



SS Battery Power Pack



ABS Battery Power Pack

Function Key Features

- 1 UNITS** — Five selectable units (lb, kg, oz, g, lb-oz) and one programmable custom unit. Units key also used with piece count and accumulation features.
- 2 ZERO** — Quickly zero off weight on the scale.
- 3 B/G / NET** — One-push selection from Gross weight to Net weight. Also used during accumulation and piece count operations and to set sleep timer.



1

2

3

4

5

6

Stainless steel swivel bracket (included with all models)



4 ON/OFF — One touch to power instrument up or down.

5 TARE — Deducts container weight from the total weight.

6 PRINT — Custom or standard print formats. This key is also used to set clock format, time and date, and during Peak Hold operations.

TS250 CUSTOMIZATION

TS250 Series Instruments can be customized to meet your specific operational needs.

CUSTOM TICKET FORMAT

A distinct ticket format can be configured to allow the TS250 to print information that meets your requirements.

CUSTOM UNITS

Many applications are unique and require a unique unit of measure. The TS250 can accommodate these needs with this feature.

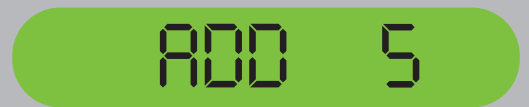
PROGRAMMABLE RS232 OUTPUT

The TS250 RS232 Output can be configured to provide serial data in a customer specified format.

MULTI-POINT CALIBRATION

The TS250's Multi-point Calibration function helps eliminate various linearity problems associated with platforms and tank applications.

ADVANCED FUNCTIONS



Easy-to-use piece counting function.

PIECE COUNTING

The TS250 has a standard piece counting feature that turns any scale into a basic counting scale. This feature minimizes the time it takes to count parts. See sample display above.

ACCUMULATION

This feature allows users to continuously store individual weight reading and count/total the readings whenever desired. It also minimizes or eliminates the time-consuming task of manually tracking weight.

STRESS TESTING

Certain manufacturers are required to *stress test* products. The TS250 is designed to easily accomplish this task. The unit captures the highest (or peak) weight reading and stores it. The printable reading remains stored until it is manually cleared or a higher peak weight is captured by the instrument.

Also known as Peak Hold, this feature provides stress test analysis that is required for ISO documentation.

TS250 SERIES INSTRUMENTS

INDUSTRIAL INSTRUMENT WITH ADVANCED FUNCTIONS

EXPERIENCE THE POWER OF THURMAN

IT'S THE SUPERIOR CHOICE

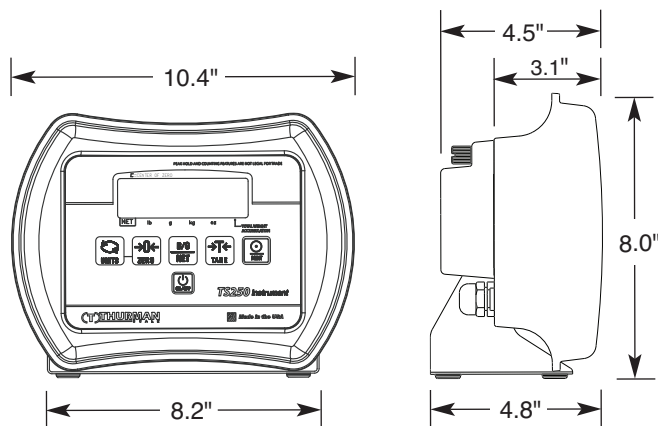
In addition to its broad line of vehicle scales and heavy capacity weighing equipment, Thurman Scale manufactures rugged and dependable products for customers with industrial weighing needs. Since 1819, Thurman has focused its efforts into building superior products and delivering complete customer satisfaction. That's why we believe you'll find Thurman to be the most valuable choice for all your weighing needs.

SPECIFICATIONS

Display	1.0" high, 6-digit, green backlit LCD	Battery life (backlight enabled)	One 350Ω load cell - 58 hours, Four 350Ω load cells - 33 hours
Enclosure	Black ABS plastic, NEMA 1 rated Stainless steel, NEMA 4X rated	Mounting	Desk / Wall mount stand (all models)
Pushbutton Keys	Zero, Print, Units, Tare, On/Off, B/G Net	Output	COM1 (standard): RS232, RS422, RS485 COM2 (standard): RS232, RS422, RS485 and 20 mA; External DB9 on ABS model
Units	lb, kg, oz, g, lb-oz or custom	Remote switch inputs	Print, Tare, Gross/Net, Units, Zero
Capacity	Selectable 0 to 999,999	Accessories	Bluetooth® wireless technology, Profibus, 4-20 mA module, ControlNet, Modbus TCP, Ethernet/IP, Ethernet TCP, DeviceNet
Graduation Size	0.0001 to 50	Approvals	NTEP CC# 15-099, MC #AM-6002, ETL
Load Cells	Up to eight 350Ω cells or 16 1000Ω cells		
Power Requirements	Choice of AC or AC/DC (requires 5 "D" cell batteries),		

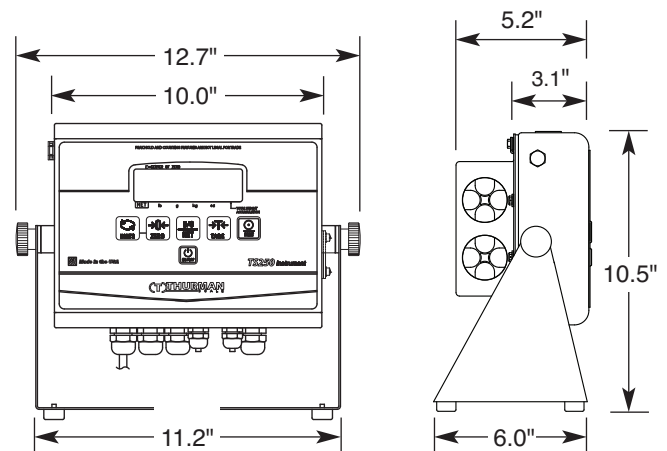
ABS PLASTIC ENCLOSURE

(Stainless steel bracket included — Battery power optional)



NEMA 4X STAINLESS STEEL ENCLOSURE

(Stainless steel bracket included — Battery power optional)



Call toll-free: **(800) 688-9741**

Call between 8:00 a.m. – 5:00 p.m. Central Time
4025 Lakeview Crossing • Groveport, OH 43125 • (614) 221-9077
Internet Address: <http://www.thurmanscale.com>

