

## 295 SERIES TICKET PRINTER



This rugged, ultra-compact, dot matrix ticket printer is ideal for light industrial applications requiring a printed ticket.

### FEATURES

- World's smallest ticket printer, perfect for a variety of applications.
- Easy-to-use touch panel and automatic paper eject function.
- Conforms to EPSON's ESC/POS command system. Easy upgrade ensures efficient use of existing software assets.
- Epson's world-renowned quality and reliability are reflected in every component and mechanism.
- High speed ticket printing on single, multi-ply, carbonleaf or carbonless scale tickets.
- Sensors determine top and bottom of form to ensure proper imprinting.

### SAMPLE PRINT (actual size)

100000 1b GR  
2000\*1b TA  
98000 1b NT

Regular Print

100000 1b GR  
2000\*1b TA  
98000 1b NT

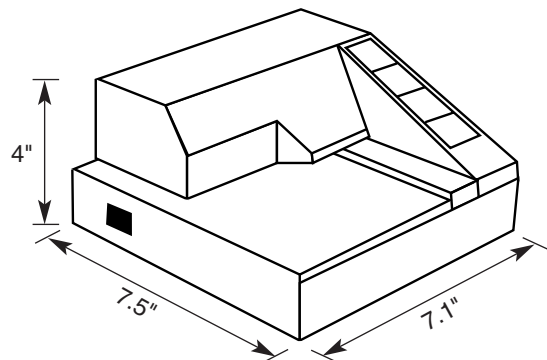
Expanded Print

### SPECIFICATIONS

Power .....	115 VAC ± 10%, 50/60 Hz grounded, 3 wire AC; 50/50 Hz grounded, 3 wire AC, 230 VAC ± 10% (available through inquiry)
Power Supply Output .....	24 volts DC ± 10%, approximately 600 mA
Humidity .....	30% to 85% relative, non-condensing
Mass .....	Approximately 3.5 lbs; 1.6 kg
Input .....	RS232C Serial
Baud Rate .....	Selectable from 110, 150, 300, 600, 1200, 4800 and 9600
Control Buttons .....	Paper forward; paper reverse; paper release
Control LEDs .....	Power; release; paper out
Paper Dimensions .....	3.15 to 7.17 x 2.72 to 10.12" (W x L)
Paper Thickness .....	0.09 to 0.35 inches
Copy Capability .....	One original and two copies
Print Method .....	7-pin, shuttle impact dot matrix
Column capacity .....	35 / 42 columns
Character Height .....	0.114 inches standard
Character Width .....	0.063 inches standard
Print Line Length .....	2.59 inches
Characters Per Line .....	13.5 cpi
Print Speed .....	2.1 lines per second uni-directional
Data Buffer .....	512 bytes or 35 bytes
Line Feed .....	Auto advance reversal of document feed
Inked Ribbon .....	Cartridge-type continuous loop with automatic advance; ERC-27 (purple)
Ribbon Life .....	1,500,000 characters
Input Connector .....	25-pin D subminiature (female)
Print Head Life .....	180,000 hours; 7,000,000 lines
EMI Standards .....	VCCI class A, FCC class A, CE marking
Safety Standards .....	UL / CSA C22.2 No. 950

### DIMENSIONS

Metric = 180 x 190.5 x 101.5 mm



### At A Glance™

Models and specifications subject to change without notice.  
Printed in the USA. © Thurman Scale  
www.thurmanscale.com

Call toll-free for the Thurman representative nearest you:

**(800) 688-9741**