



ACCESSORY 778 TRAFFIC SIGNAL FOR TRUCK AND RAIL SCALES



Thurman Scale's Accessory 778 Traffic Signal is designed for low maintenance and increased durability in outdoor applications.

APPLICATIONS

- Truck Scale Weigh Stations
- Railroad Track Scale Weigh Stations
- Automatic Scale Traffic Control
- Manual Scale Traffic Control

FEATURES

- Large 5" diameter LED displays a green ● and red X signal.
- Designed for quick and easy pole mounting using a slipfitter accessory.
- All exterior surfaces of the housing, door and back plates are cleaned and powder coated to the highest industry standards providing exceptional resistance to impact and weather.

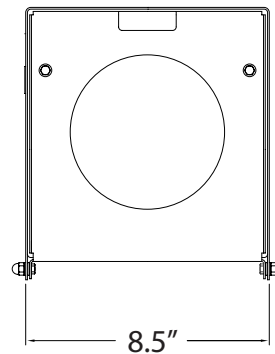
PERFORMANCE SPECIFICATIONS

Construction	Black powder-coated steel enclosure
Display type	High-intensity light emitting diode (LED)
Life expectancy	More than 11 years
Visibility	Up to 300 feet
Control box	Automatic or manual

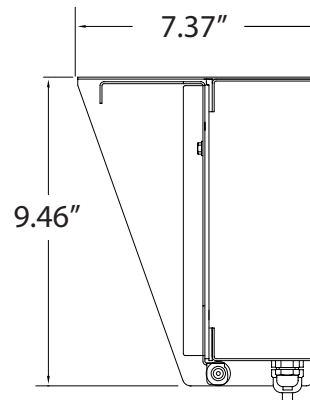
- Accessories/Options
- Slipfitter for 4.5" pole
 - Bracket for wall mounting
 - 4.5" x 8" aluminum traffic pole with natural finish
 - Square, aluminum pole base
 - Complete installation kits

DIMENSIONS (IN INCHES)

FRONT VIEW



SIDE VIEW



At A Glance™

Models and specifications subject to change without notice.
 Printed in the USA. © Thurman Scale
www.thurmanscale.com

Call toll-free for the Thurman representative nearest you:
(800) 688-9741